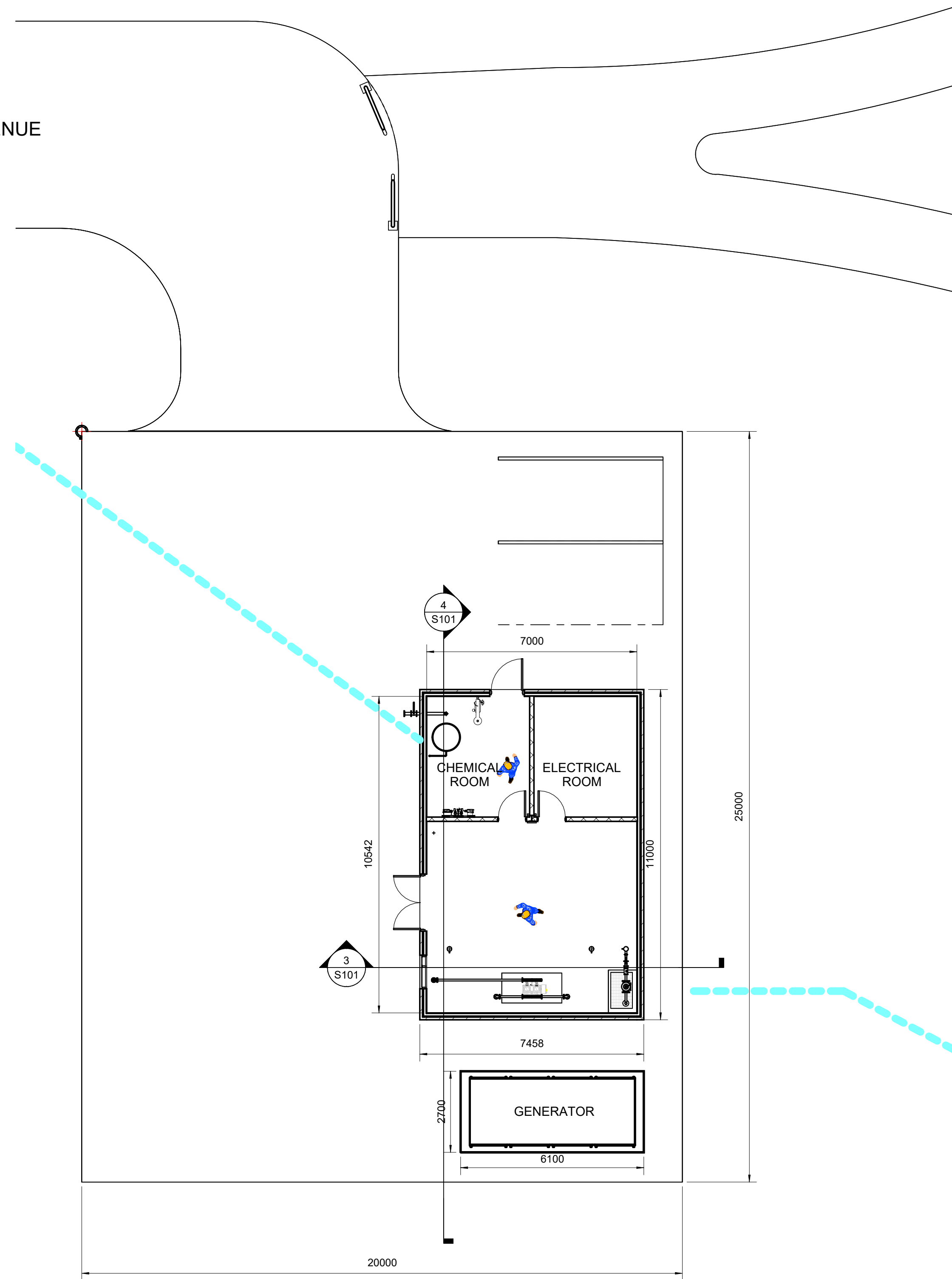


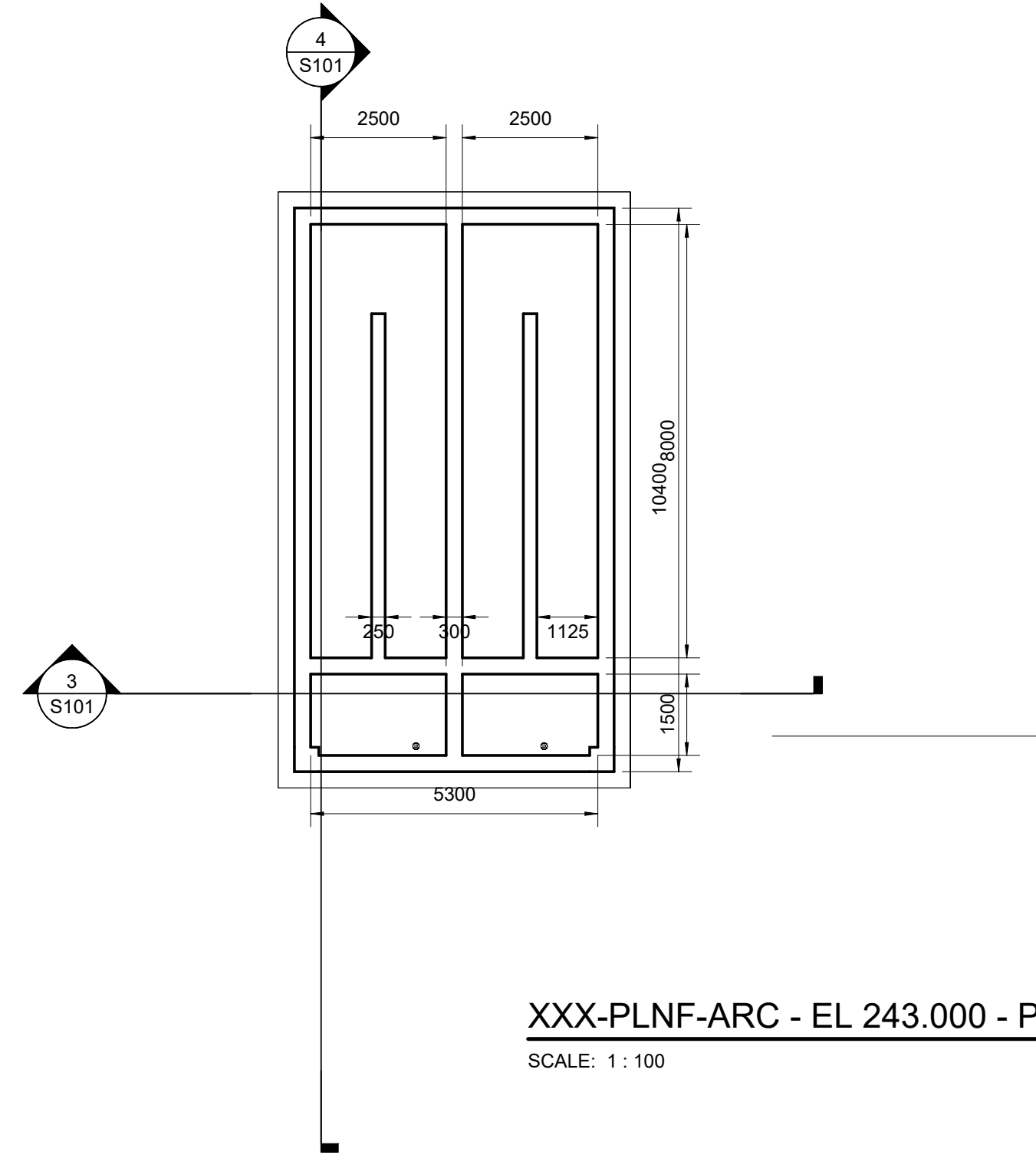
**APPENDIX F
DESIGN CONCEPT SITE PLAN AND
SECTION DRAWING**

CEDAR AVENUE



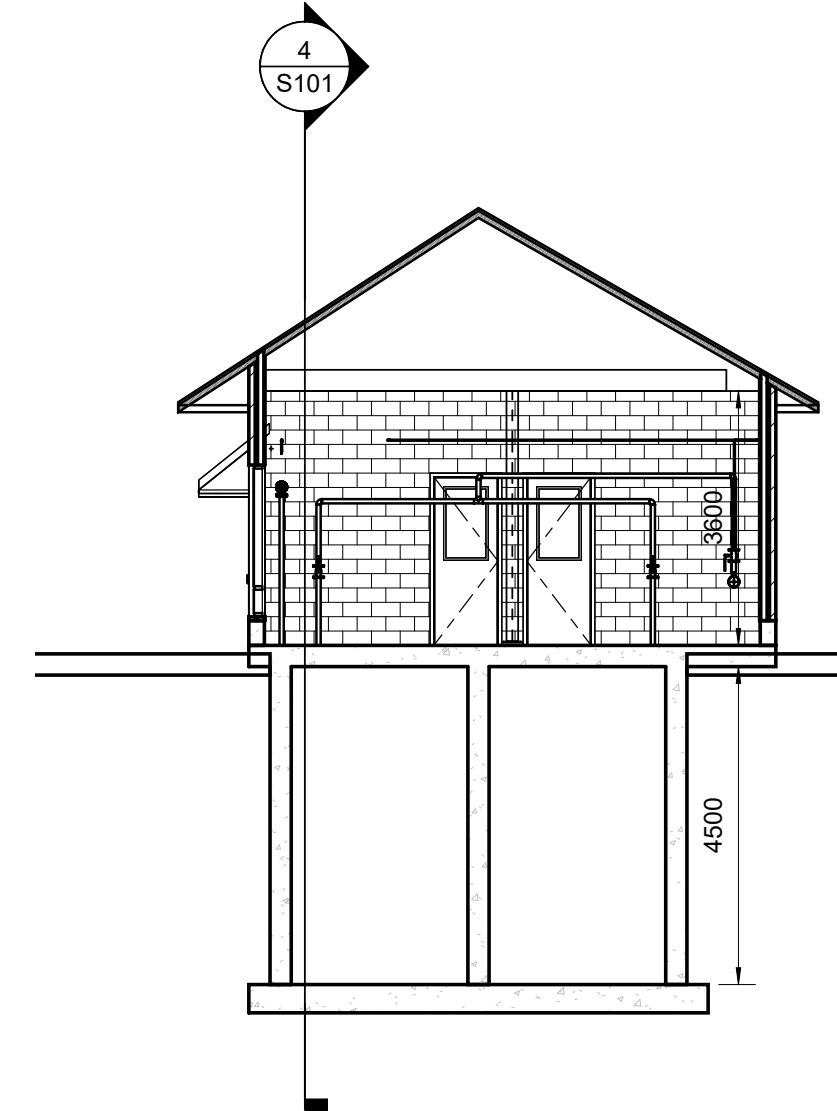
XXX-PLNF-ARC - EL 245.000 - PX

SCALE: 1 : 100



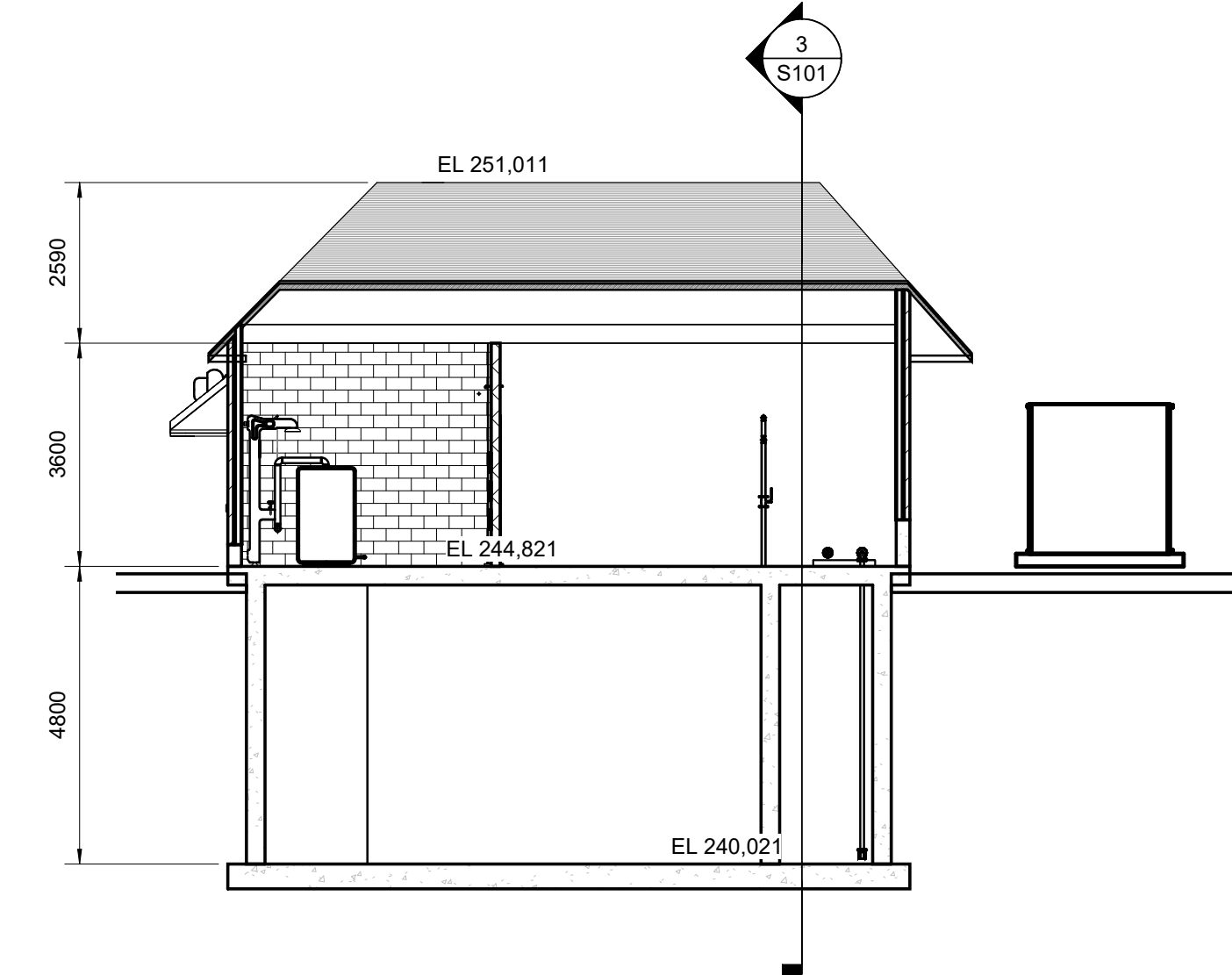
XXX-PLNF-ARC - EL 243.000 - PX

SCALE: 1 : 100



Section 1

SCALE: 1 : 100



Section 2

SCALE: 1 : 100

NOTES

No.	Description	By	Date	App'd	Date

CITY OF HAMILTON
Water & Wastewater Division

DESIGN CONCEPT -
GREENSVILLE SCHEDULE C MCEA

Stantec

PLAN VIEW

Scale:	Designed:	STANTEC Project No.:
	Checked:	
	Drawn:	Date:

S101

PLAN &
SECTIONS

Fig. No.
Issue